

Inductorless -2x Boost/Buck Regulator

Features

- Input Range 2.5V to 5.5V
- Regulated Output Options from -3.0 to -5.0V
- Output Current 20mA (max)
- 200kHz Internal Oscillator Frequency
- External Synchronizing Clock Input
- Logic Level Shutdown
 - 1 μ A (max) Supply Current
- Available in 8-Pin MSOP Package

Applications

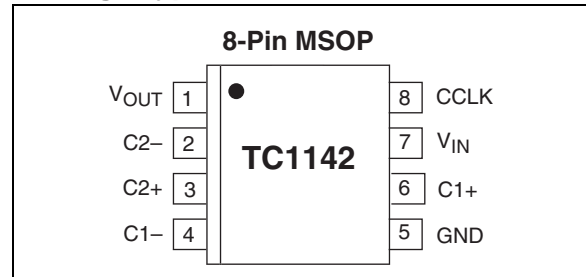
- Cellular Phones
- Battery Powered/Portable Equipment

Device Selection Table

Part Number	Output Voltage (V)*	Package	Operating Temp. Range
TC1142-3.0EUA	3.0	8-Pin MSOP	-40°C to +85°C
TC1142-4.0EUA	4.0	8-Pin MSOP	-40°C to +85°C
TC1142-5.0EUA	5.0	8-Pin MSOP	-40°C to +85°C

*Other output voltages are available (-3.5V and -4.5V). Please contact Microchip Technology Inc. for details.

Package Type



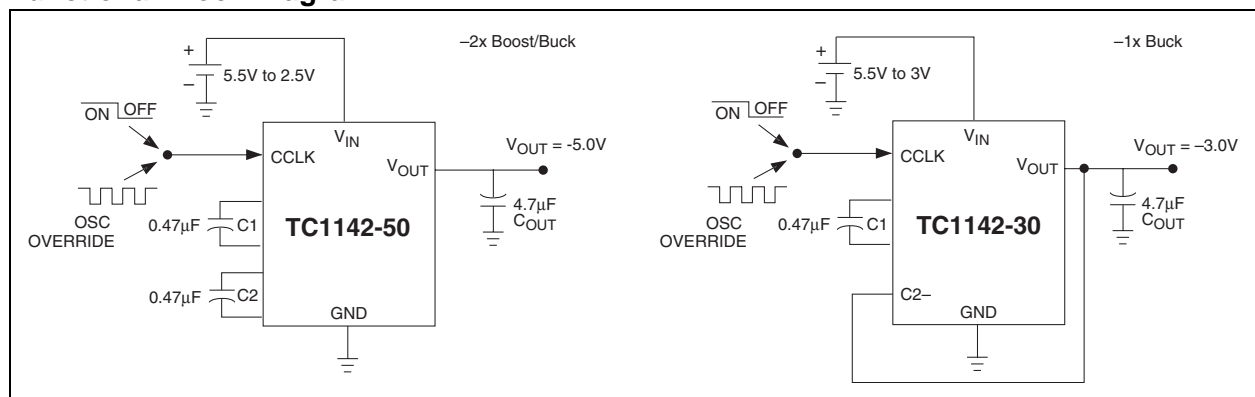
General Description

The TC1142 generates a regulated negative voltage from -3V to -5V at 20mA from an input of 2.5V to 5.5V, using only three external capacitors. Other boost/buck switching regulators must use an inductor, which is larger and radiates EMI. An internal voltage comparator inhibits the charge pump when V_{OUT} is more negative than the regulated value (per the ordering option). The values of flying capacitors C1 and C2 are chosen to be less than C_{OUT} in order to reduce the ripple generated from regulating V_{OUT} in this manner. The TC1142 also can be used as a -1x buck regulator by omitting C2, and connecting the C2 pin to V_{OUT} .

The part goes into shutdown when the CCLK input is driven low. When in shutdown mode, the part draws a maximum of 1 μ A. When CCLK is pulled high, the part runs from the internal 200kHz oscillator. The device may be run with an external clock, provided the frequency is greater than 3kHz and less than 500kHz.

The TC1142 comes in a space-saving MSOP package.

Functional Block Diagram



TC1142

1.0 ELECTRICAL CHARACTERISTICS

Absolute Maximum Ratings*

Supply Voltage (V_{IN}) with C_{OUT} Connected 6.5V
 CCLK Voltage..... -0.3V to ($V^+ + 0.3V$)
 Power Dissipation..... 320mW
 Operating Temperature Range
 8-Pin MSOP -40°C to +85°C
 Storage Temperature Range -65°C to +160°C

*Stresses above those listed under "Absolute Maximum Ratings" may cause permanent damage to the device. These are stress ratings only and functional operation of the device at these or any other conditions above those indicated in the operation sections of the specifications is not implied. Exposure to Absolute Maximum Rating conditions for extended periods may affect device reliability.

TC1142 ELECTRICAL SPECIFICATIONS

Electrical Characteristics: $R_L = \infty$, $V_{IN} = 3.2V$, Mode = -2x, $C1 = C2 = 0.47\mu F$ (Note 1), $CCLK = V_{IH}$, $C_{OUT} = 4.7\mu F$, for $V_R = 3V$, $V_{IN} = 3.5V$, $T_A = T_{MIN}$ to T_{MAX} , unless otherwise noted.

Symbol	Parameter	Min	Typ	Max	Units	Test Conditions
V_{IN}	Supply Voltage	2.5	—	5.5	V	
V_{OUT}	Output Voltage	$-(V_R + 0.2)$	$-V_R$	$-(V_R - 0.2)$	V	$I_L = 0mA$ (Note 2)
V_{P-P}	Output Ripple	—	100	—	mV	$I_L = 10mA$
I_{SUPPLY}	Supply Current	—	200	400	μA	
$I_{SUPPLY1}$		—	0.1	1	μA	CCLK = 0V
R_{OUTCL}	Closed-Loop Output Resistance	—	2	6	Ω	
R_{OUT}	Open-Loop Output Resistance	—	30	—	Ω	(Note 3)
f_{OSC}	Internal Oscillator Frequency	150	200	275	kHz	
f_{CCLK}	External Clock Frequency, Typical	3	—	500	kHz	(Note 4)
P_{EFF}	Power Efficiency	70	76	—	%	$I_L = 10mA$, $V_R = 5V$; (See Equation 3-5)
V_{IH}	CCLK Input High Threshold	2.2	—	—	V	
V_{IL}	CCLK Input Low Threshold	—	—	1.0	V	

- Note**
- 1: Assume C1 and C2 have an ESR of 1 Ω .
 - 2: V_R is the voltage output specified in the ordering option.
 - 3: Measured in -1x Mode. For $V_R = 3V$, $V_{IN} = 2.5V$.
 - 4: CCLK is driven with an external clock. Minimum frequency = $1/2t_0$ at 50% duty cycle, where t_0 is the counter timeout period.

2.0 PIN DESCRIPTIONS

The descriptions of the pins are listed in Table 2-1.

TABLE 2-1: PIN FUNCTION TABLE

Pin No. (8-Pin MSOP)	Symbol	Description
1	V_{OUT}	Regulated negative output voltage.
2	C2-	Negative terminal of flying capacitor C2.
3	C2+	Positive terminal of flying capacitor C2.
4	C1-	Negative terminal of flying capacitor C1.
5	GND	Power supply ground.
6	C1+	Positive terminal of flying capacitor C1.
7	V_{IN}	Power supply positive voltage input (2.5V to 5.5V).
8	CCLK	Clock control input: If low, the TC1142 is in Shutdown mode (1 μ A, max). If high, the TC1142 runs off the internal oscillator (200kHz, typ.). CCLK can be overridden by an external oscillator from 3kHz to 500kHz.

TC1142

3.0 DETAILED DESCRIPTION

The TC1142 inductorless -2x boost/buck regulator is an inverting charge pump that uses a pulse-frequency modulation (PFM) control scheme to produce a regulated negative output voltage, $-V_R$, between -3V and -5V (depending on the output voltage option) at 20mA maximum load. Output voltage regulation is achieved by gating ON the clock to the charge pump for a single half-clock period whenever the output is more positive than V_R , and gating it OFF when the output is more negative than $-V_R$. The resulting PFM of the clock applied to the charge pump has a high frequency spectral content consisting only of clock harmonics. When using an external clock, the transient noise is then synchronized to the clock and is easier to filter in sensitive applications.

The TC1142 also can be used as a -1x boost/buck regulator by omitting the C2 capacitor and connecting the C2- pin to V_{OUT} .

The PFM control scheme minimizes supply current at small loads and permits the use of low value flying capacitors, which saves on printed circuit board space and cost. Due to the TC1142's doubling and inverting charge pump mechanism, the output voltage is limited to $-2V_{IN}$. To produce a -5V regulated output, for example, a minimum input voltage of 2.5V is required at V_{IN} .

The CCLK pin of the TC1142 has three functions: It can select the internal 200kHz oscillator (when held HIGH), put the TC1142 into shutdown (when held LOW), or provide an external clock input. To achieve this functionality, an internal counter is reset by any positive transition at the CCLK pin, but will time out in typically 160 μ sec (i.e., a frequency higher than about 3kHz). If the counter times out following the last positive transition, then the internal clock will be gated through to the charge pump if CCLK is HIGH, or the device will enter shutdown mode if it is LOW. To enter shutdown, CCLK must be LOW and the counter must have timed out. These timing diagrams are shown in Figure 3-4.

A functional circuit diagram of the TC1142 is shown in Figure 3-1. The output voltage V_{OUT} is compared to an on-chip reference voltage, and the comparator output is used to gate the charge pump clock. The charge pump is a negative voltage doubler and has two phases of operation which are further illustrated in Figure 3-2 and Figure 3-3. In phase 1, shown in Figure 3-2, the flying capacitor C1 charges the flying capacitor C2 while the device load is totally serviced by the charge stored on the reservoir capacitor C_{OUT} . In phase 2, shown in Figure 3-3, the capacitor C1 is recharged to V_{IN} while the capacitor C2 transfers its charge to the reservoir capacitor C_{OUT} .

In normal operation, the TC1142 charge pump stays in phase 2 and only switches to phase 1 as required to maintain output voltage regulation.

FIGURE 3-1: FUNCTIONAL CIRCUIT DIAGRAM

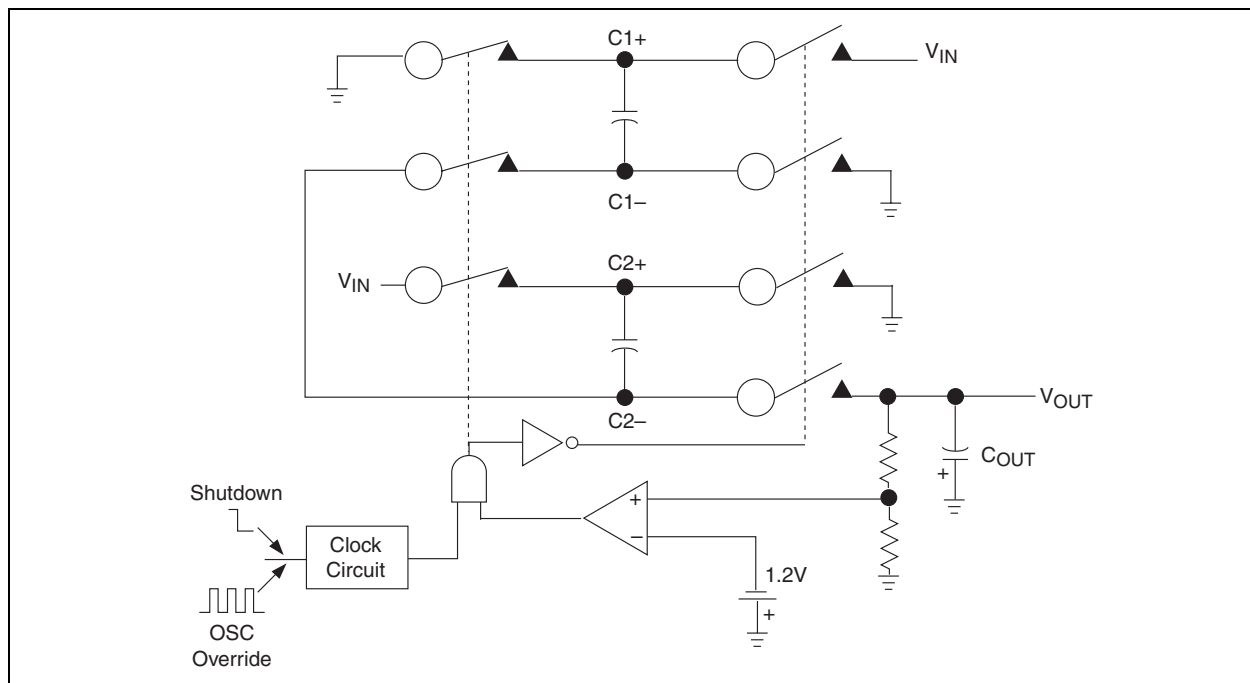


FIGURE 3-2: TC1142 PHASE 1

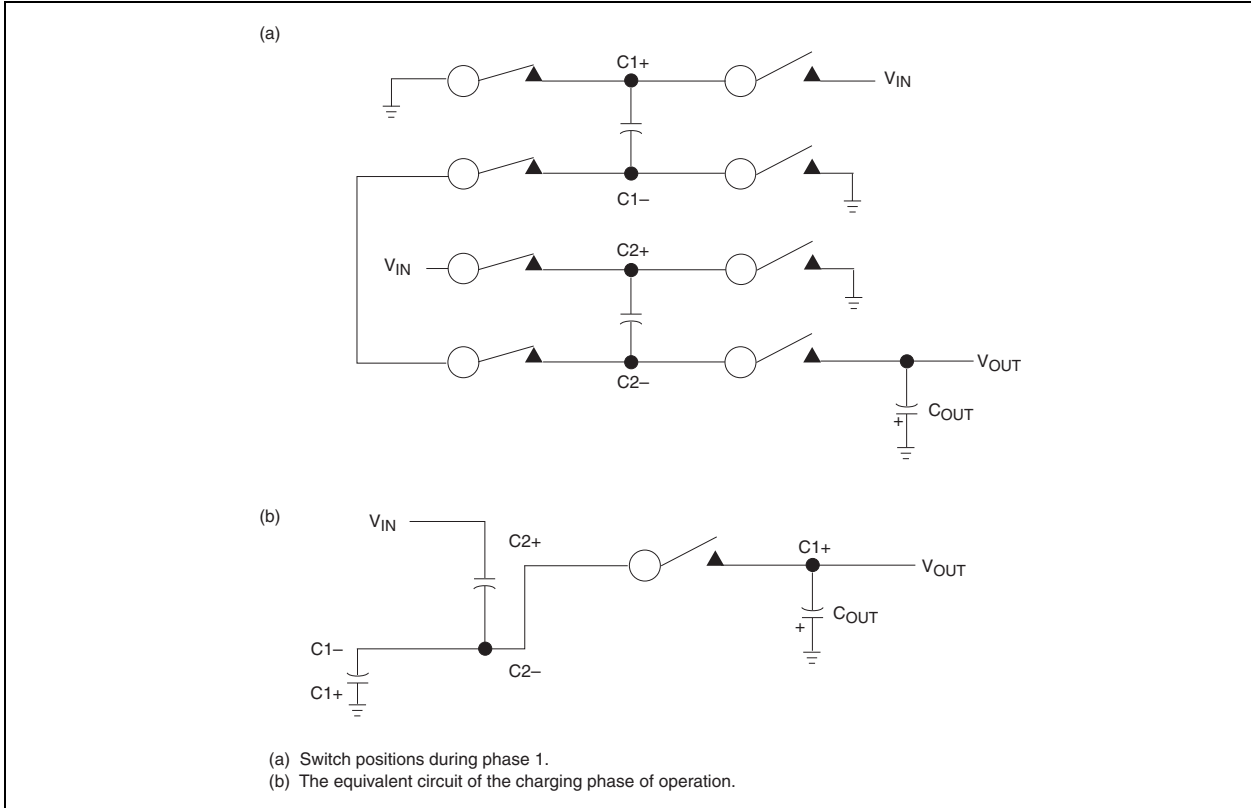
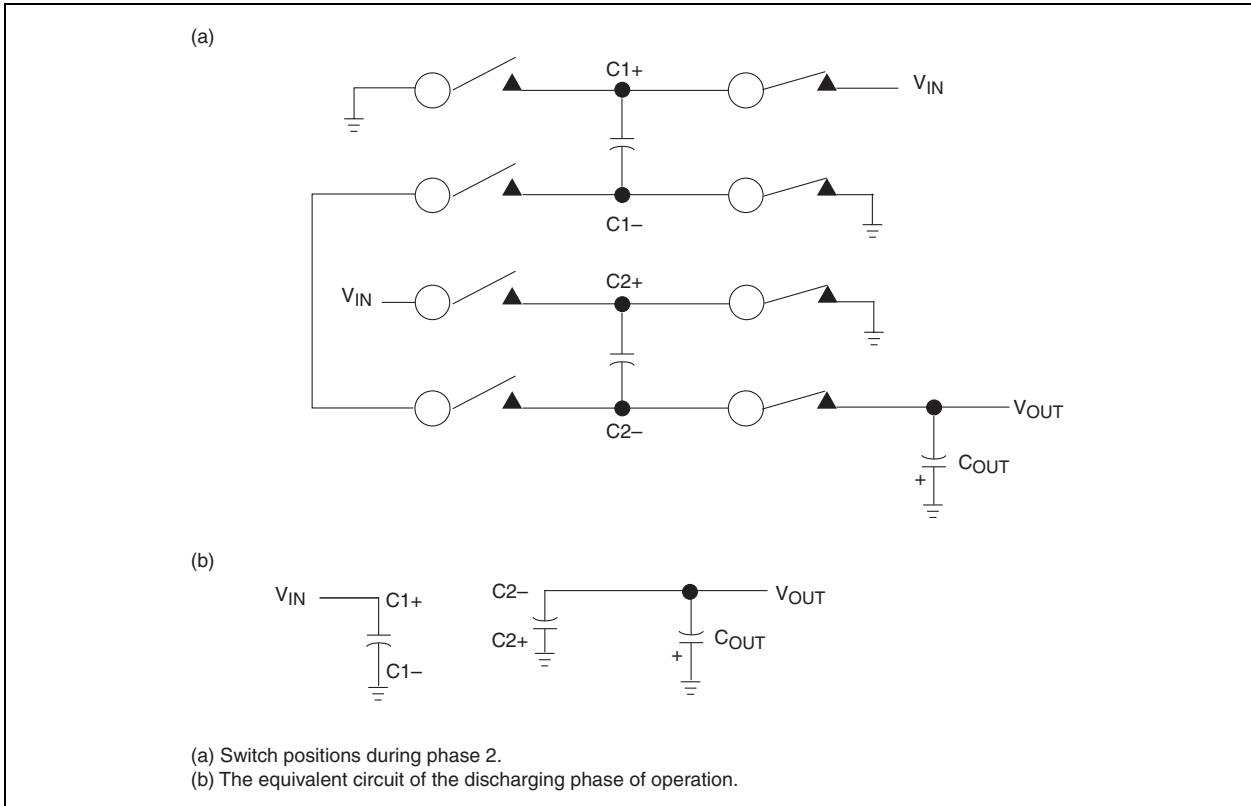


FIGURE 3-3: TC1142 PHASE 2



TC1142

3.1 Output Voltage and Ripple

For a -2x boost:

a.) For unregulated operation when $V_{IN} \leq \left| \frac{V_R}{2} \right|$.

In this case, the output voltage is given by:

EQUATION 3-1:

$$V_{OUT} = -|2V_{IN}| + I_O R_{OUT}$$

$$\text{where } R_{OUT} = \frac{1}{f} \left(\frac{1}{C_1} + \frac{1}{C_2} \right) + \frac{R_S C_2}{(C_2 + C_{OUT})}$$

Here, f is the clock frequency and R_S is the total ON resistance of the switches connecting C_2 to GND and V_{OUT} in phase 2 of the charge pump operating cycle with the equivalent series resistance (ESR) of C_2 .

The output ripple voltage is given by:

EQUATION 3-2:

$$V_{RIPPLE} = I_O R_{RIPPLE}$$

$$\text{where } R_{RIPPLE} = \frac{1}{2f(C_2 + C_{OUT})} + \frac{1}{2fC_{OUT}} + \frac{ESR C_2}{(C_2 + C_{OUT})}$$

Here, ESR is the equivalent series resistance of C_{OUT} .

b.) For regulated operation when $V_{IN} > \left| \frac{V_R}{2} \right|$.

In this case, the TC1142 is held in phase 2 until the output voltage drops below V_R . When this occurs, the TC1142 reverts to phase 1 for a half period of the clock, during which C_2 is charged from C_1 . At the end of this half-period, C_2 is reconnected to C_{OUT} to boost the output voltage. During the phase 1 time period, the output voltage will drop below V_R before it is boosted back, so the minimum output voltage is approximated by:

EQUATION 3-3:

$$V_{OUTMIN} = -|V_R| + I_O R_{OUT}$$

$$\text{where } R_{OUT} = \frac{1}{2fC_{OUT}} + \frac{ESR C_2}{(C_2 + C_{OUT})}$$

The output ripple voltage is given approximately by:

EQUATION 3-4:

$$V_{RIPPLE} = \frac{(2V_{IN} - |V_R| + ESR I_O C_2 \left(\frac{1}{C_1} + \frac{1}{C_2} \right))}{N}$$

$$\text{where } N = \left(\frac{1}{C_1} + \frac{1}{C_2} \right) (C_2 + C_{OUT})$$

For values of V_{IN} higher than $|V_R/2|$ by several hundred mV, the effect on ripple of the ESR of C_{OUT} can be neglected compared to the "overdrive" effect of V_{IN} .

Here, it can be seen that V_{RIPPLE} increases with increasing V_{IN} , but can be minimized by choosing small C_1 and C_2 values and a large C_{OUT} value.

3.2 Capacitor Selection

To maintain low output impedance and ripple, it is recommended that capacitors with low equivalent series resistance (ESR) be used. Additionally, larger values of the output capacitor and smaller values of the flying capacitors will reduce output ripple. For a capacitor value of $4.7\mu\text{F}$ for C_{OUT} , and values of $0.47\mu\text{F}$ for C_1 and C_2 , the typical output impedance of the TC1142 in regulation is 0.5Ω . For the capacitor ESR not to have a noticeable effect on output impedance, it should not be larger than $1/2fC_{OUT}$. This also makes its effect on ripple voltage negligible. For $V_{IN} = 3.2\text{V}$ and $V_R = -5\text{V}$, the output ripple voltage is less than 70mV_{PP} . Table 3-1 summarizes output ripple versus capacitor size for an input voltage of 3.2V and a regulated output voltage of -5V .

Surface mount ceramic capacitors are preferred for their small size, low cost and low ESR. Low ESR tantalum capacitors also are acceptable. See Table 3-2 for a list of suggested capacitor suppliers.

TABLE 3-1: VOLTAGE RIPPLE VS. C1/C2 FLYING CAPACITORS AND OUTPUT CAPACITOR C_{OUT} ESR = 0.1Ω , $I_{OUT} = 20\text{mA}$

C1, C2 (μF)	C_{OUT} (μF)	V_{IN} (V)	V_{OUT} (V)	V_{RIPPLE} (mV)
0.1	4.7	3.2	-5	14.6
0.22	4.7	3.2	-5	31.4
0.33	4.7	3.2	-5	46.1
0.47	4.7	3.2	-5	63.9
0.68	4.7	3.2	-5	88.7
1.0	4.7	3.2	-5	123.2
0.1	10	3.2	-5	7.0
0.22	10	3.2	-5	15.1
0.33	10	3.2	-5	22.4
0.47	10	3.2	-5	31.5
0.68	10	3.2	-5	44.7
1.0	10	3.2	-5	63.8

TABLE 3-2: LOW ESR SURFACE-MOUNT CAPACITOR MANUFACTURERS

Manufacturer	Type	Phone
AVX Corp.	TPS series surface-mount tantalum X7R type surface-mount ceramic	803-448-9411
Matsuo	267 series surface-mount tantalum X7R type surface-mount ceramic	714-969-2491
Sprague	593D, 594D, 595D series surface-mount tantalum	207-324-4140
Murata	Ceramic chip capacitors	800-831-9172
Taiyo Yuden	Ceramic chip capacitors	800-348-2496
Tokin	Ceramic chip capacitors	408-432-8020

3.3 Power Efficiency

Assuming the output is loaded with at least 20% of the maximum available output current, the power efficiency of the TC1142 can be estimated using the following equation:

EQUATION 3-5:

$$\eta = \frac{|V_R|}{2(V_{IN})}$$

For example, a 3.2 Volt V_{IN} , and a -5 Volt V_R will have an efficiency of approximately 78%. For loads less than 20% of the maximum available output current, the power efficiency will be substantially reduced. Other factors that affect the actual efficiency include:

1. Losses from power consumed by the internal oscillator (if used).
2. I^2R losses due to the on-resistance of the MOSFET charge pump switches.
3. Charge pump capacitor losses due to ESR.
4. Losses that occur during charge transfer (from the flying capacitors to the output capacitor) when a voltage difference exists between these capacitors.

3.4 Choice of -2x or -1x Connections

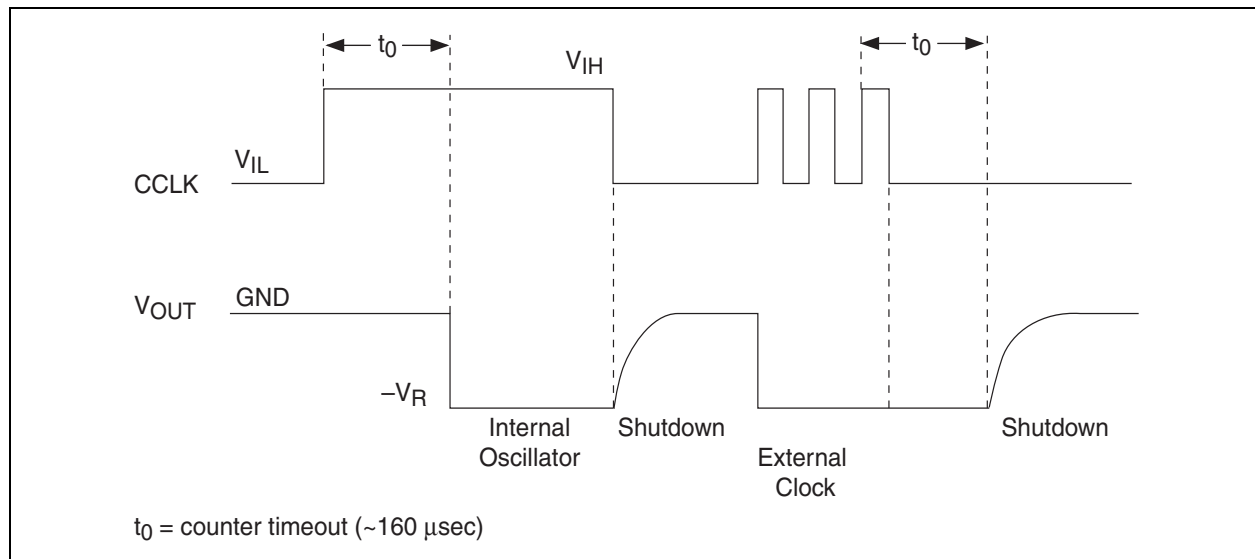
If required output voltage can be achieved using a -1x configuration then this is preferred for the following reasons:

1. Power efficiency is improved from $V_R/2V_{IN}$ to V_R/V_{IN}
2. Only one flying capacitor needed
3. The output ripple becomes proportional to $V_{IN} - V_R$ rather than $2V_{IN} - V_R$.

3.5 Layout Considerations

Proper layout is important to obtain optimal performance. Mount capacitors as close to their connecting device pins as possible to minimize stray inductance and capacitance. It is recommended that a large ground plane be used to reduce noise leakage into other circuitry.

FIGURE 3-4: TIMING DIAGRAM



TC1142

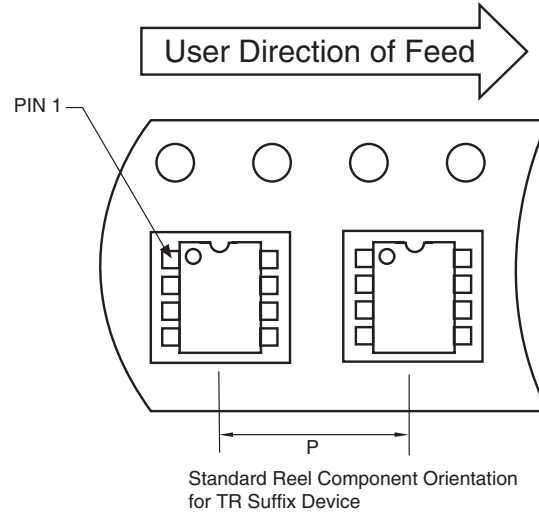
4.0 PACKAGING INFORMATION

4.1 Package Marking Information

Package marking data not available at this time.

4.2 Taping Form

Component Taping Orientation for 8-Pin MSOP Devices

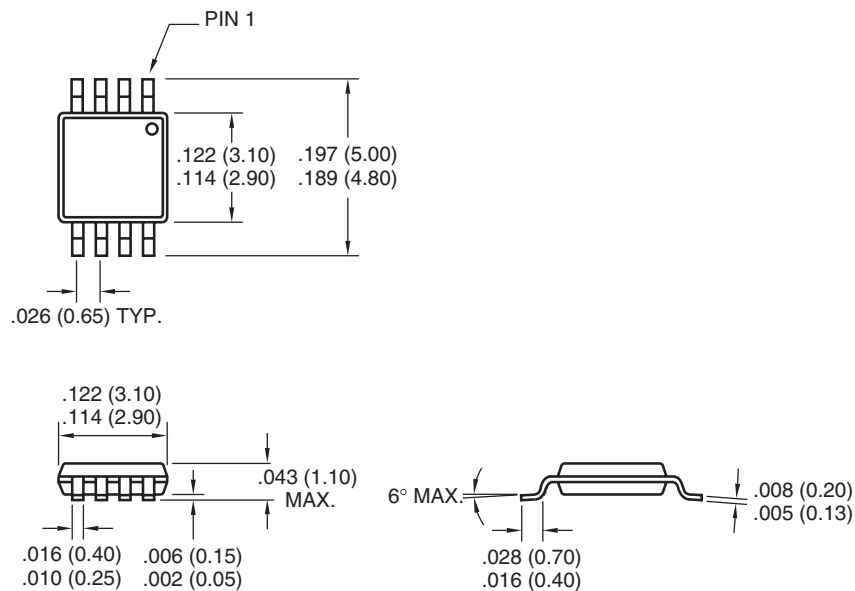


Carrier Tape, Number of Components Per Reel and Reel Size

Package	Carrier Width (W)	Pitch (P)	Part Per Full Reel	Reel Size
8-Pin MSOP	12 mm	8 mm	2500	13 in

4.3 Package Dimensions

8-Pin MSOP



Dimensions: inches (mm)

Sales and Support

Data Sheets

Products supported by a preliminary Data Sheet may have an errata sheet describing minor operational differences and recommended workarounds. To determine if an errata sheet exists for a particular device, please contact one of the following:

1. Your local Microchip sales office
2. The Microchip Corporate Literature Center U.S. FAX: (480) 792-7277
3. The Microchip Worldwide Site (www.microchip.com)

Please specify which device, revision of silicon and Data Sheet (include Literature #) you are using.

New Customer Notification System

Register on our web site (www.microchip.com/cn) to receive the most current information on our products.

TC1142

NOTES:

Note the following details of the code protection feature on Microchip devices:

- Microchip products meet the specification contained in their particular Microchip Data Sheet.
- Microchip believes that its family of products is one of the most secure families of its kind on the market today, when used in the intended manner and under normal conditions.
- There are dishonest and possibly illegal methods used to breach the code protection feature. All of these methods, to our knowledge, require using the Microchip products in a manner outside the operating specifications contained in Microchip's Data Sheets. Most likely, the person doing so is engaged in theft of intellectual property.
- Microchip is willing to work with the customer who is concerned about the integrity of their code.
- Neither Microchip nor any other semiconductor manufacturer can guarantee the security of their code. Code protection does not mean that we are guaranteeing the product as "unbreakable."

Code protection is constantly evolving. We at Microchip are committed to continuously improving the code protection features of our products. Attempts to break Microchip's code protection feature may be a violation of the Digital Millennium Copyright Act. If such acts allow unauthorized access to your software or other copyrighted work, you may have a right to sue for relief under that Act.

Information contained in this publication regarding device applications and the like is provided only for your convenience and may be superseded by updates. It is your responsibility to ensure that your application meets with your specifications. MICROCHIP MAKES NO REPRESENTATIONS OR WARRANTIES OF ANY KIND WHETHER EXPRESS OR IMPLIED, WRITTEN OR ORAL, STATUTORY OR OTHERWISE, RELATED TO THE INFORMATION, INCLUDING BUT NOT LIMITED TO ITS CONDITION, QUALITY, PERFORMANCE, MERCHANTABILITY OR FITNESS FOR PURPOSE. Microchip disclaims all liability arising from this information and its use. Use of Microchip's products as critical components in life support systems is not authorized except with express written approval by Microchip. No licenses are conveyed, implicitly or otherwise, under any Microchip intellectual property rights.

Trademarks

The Microchip name and logo, the Microchip logo, Accuron, dsPIC, KEELoQ, microID, MPLAB, PIC, PICmicro, PICSTART, PRO MATE, PowerSmart, rPIC, and SmartShunt are registered trademarks of Microchip Technology Incorporated in the U.S.A. and other countries.


AmpLab, FilterLab, Migratable Memory, MXDEV, MXLAB, PICMASTER, SEEVAL, SmartSensor and The Embedded Control Solutions Company are registered trademarks of Microchip Technology Incorporated in the U.S.A.

Analog-for-the-Digital Age, Application Maestro, dsPICDEM, dsPICDEM.net, dsPICworks, ECAN, ECONOMONITOR, FanSense, FlexROM, fuzzyLAB, In-Circuit Serial Programming, ICSP, ICEPIC, Linear Active Thermistor, MPASM, MPLIB, MPLINK, MPSIM, PCKIT, PICDEM, PICDEM.net, PICLAB, PICtail, PowerCal, PowerInfo, PowerMate, PowerTool, rLAB, rPICDEM, Select Mode, Smart Serial, SmartTel, Total Endurance and WiperLock are trademarks of Microchip Technology Incorporated in the U.S.A. and other countries.

SQTP is a service mark of Microchip Technology Incorporated in the U.S.A.

All other trademarks mentioned herein are property of their respective companies.

© 2005, Microchip Technology Incorporated, Printed in the U.S.A., All Rights Reserved.

 Printed on recycled paper.

**QUALITY MANAGEMENT SYSTEM
CERTIFIED BY DNV
== ISO/TS 16949:2002 ==**

Microchip received ISO/TS-16949:2002 quality system certification for its worldwide headquarters, design and wafer fabrication facilities in Chandler and Tempe, Arizona and Mountain View, California in October 2003. The Company's quality system processes and procedures are for its PICmicro® 8-bit MCUs, KEELoQ® code hopping devices, Serial EEPROMs, microperipherals, nonvolatile memory and analog products. In addition, Microchip's quality system for the design and manufacture of development systems is ISO 9001:2000 certified.



WORLDWIDE SALES AND SERVICE

AMERICAS

Corporate Office
2355 West Chandler Blvd.
Chandler, AZ 85224-6199
Tel: 480-792-7200
Fax: 480-792-7277
Technical Support:
<http://support.microchip.com>
Web Address:
www.microchip.com

Atlanta
Alpharetta, GA
Tel: 770-640-0034
Fax: 770-640-0307

Boston
Westborough, MA
Tel: 774-760-0087
Fax: 774-760-0088

Chicago
Itasca, IL
Tel: 630-285-0071
Fax: 630-285-0075

Dallas
Addison, TX
Tel: 972-818-7423
Fax: 972-818-2924

Detroit
Farmington Hills, MI
Tel: 248-538-2250
Fax: 248-538-2260

Kokomo
Kokomo, IN
Tel: 765-864-8360
Fax: 765-864-8387

Los Angeles
Mission Viejo, CA
Tel: 949-462-9523
Fax: 949-462-9608

San Jose
Mountain View, CA
Tel: 650-215-1444
Fax: 650-961-0286

Toronto
Mississauga, Ontario,
Canada
Tel: 905-673-0699
Fax: 905-673-6509

ASIA/PACIFIC

Australia - Sydney
Tel: 61-2-9868-6733
Fax: 61-2-9868-6755

China - Beijing
Tel: 86-10-8528-2100
Fax: 86-10-8528-2104

China - Chengdu
Tel: 86-28-8676-6200
Fax: 86-28-8676-6599

China - Fuzhou
Tel: 86-591-8750-3506
Fax: 86-591-8750-3521

China - Hong Kong SAR
Tel: 852-2401-1200
Fax: 852-2401-3431

China - Qingdao
Tel: 86-532-8502-7355
Fax: 86-532-8502-7205

China - Shanghai
Tel: 86-21-5407-5533
Fax: 86-21-5407-5066

China - Shenyang
Tel: 86-24-2334-2829
Fax: 86-24-2334-2393

China - Shenzhen
Tel: 86-755-8203-2660
Fax: 86-755-8203-1760

China - Shunde
Tel: 86-757-2839-5507
Fax: 86-757-2839-5571

China - Wuhan
Tel: 86-27-5980-5300
Fax: 86-27-5980-5118

China - Xian
Tel: 86-29-8833-7250
Fax: 86-29-8833-7256

ASIA/PACIFIC

India - Bangalore
Tel: 91-80-2229-0061
Fax: 91-80-2229-0062

India - New Delhi
Tel: 91-11-5160-8631
Fax: 91-11-5160-8632

India - Pune
Tel: 91-20-2566-1512
Fax: 91-20-2566-1513

Japan - Yokohama
Tel: 81-45-471-6166
Fax: 81-45-471-6122

Korea - Gumi
Tel: 82-54-473-4301
Fax: 82-54-473-4302

Korea - Seoul
Tel: 82-2-554-7200
Fax: 82-2-558-5932 or
82-2-558-5934

Malaysia - Penang
Tel: 60-4-646-8870
Fax: 60-4-646-5086

Philippines - Manila
Tel: 63-2-634-9065
Fax: 63-2-634-9069

Singapore
Tel: 65-6334-8870
Fax: 65-6334-8850

Taiwan - Hsin Chu
Tel: 886-3-572-9526
Fax: 886-3-572-6459

Taiwan - Kaohsiung
Tel: 886-7-536-4818
Fax: 886-7-536-4803

Taiwan - Taipei
Tel: 886-2-2500-6610
Fax: 886-2-2508-0102

Thailand - Bangkok
Tel: 66-2-694-1351
Fax: 66-2-694-1350

EUROPE

Austria - Wels
Tel: 43-7242-2244-399
Fax: 43-7242-2244-393

Denmark - Copenhagen
Tel: 45-4450-2828
Fax: 45-4485-2829

France - Paris
Tel: 33-1-69-53-63-20
Fax: 33-1-69-30-90-79

Germany - Munich
Tel: 49-89-627-144-0
Fax: 49-89-627-144-44

Italy - Milan
Tel: 39-0331-742611
Fax: 39-0331-466781

Netherlands - Drunen
Tel: 31-416-690399
Fax: 31-416-690340

Spain - Madrid
Tel: 34-91-708-08-90
Fax: 34-91-708-08-91

UK - Wokingham
Tel: 44-118-921-5869
Fax: 44-118-921-5820